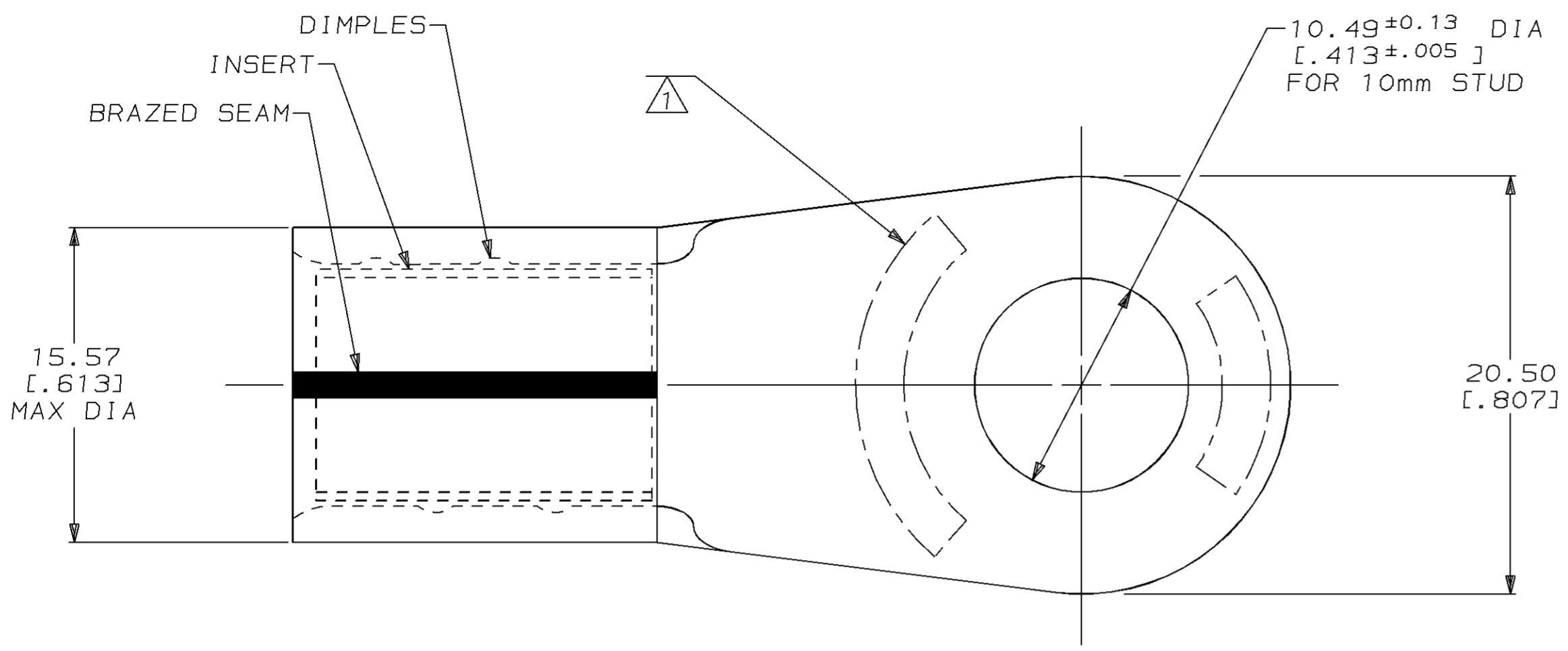


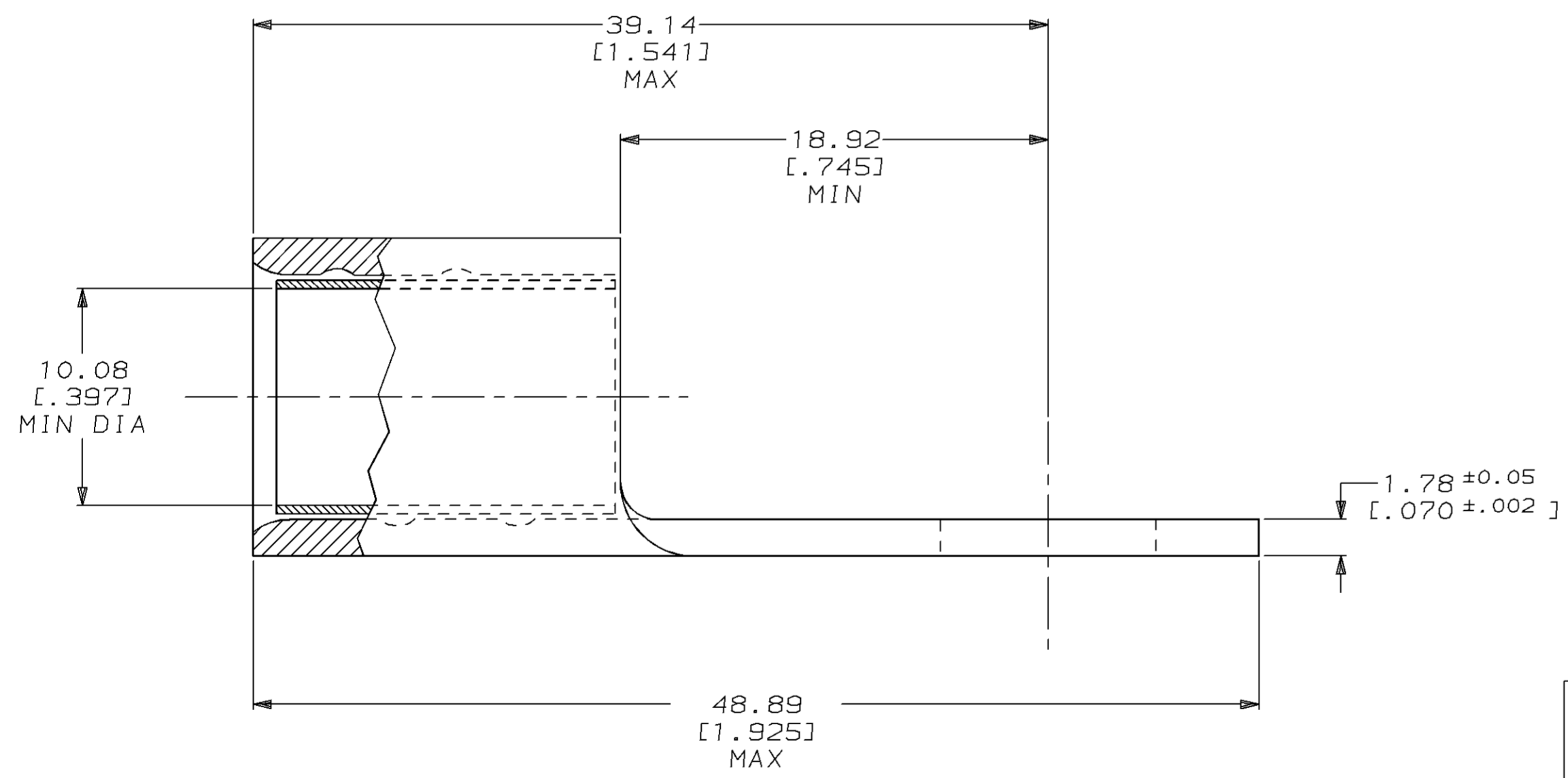
THIS DRAWING IS UNPUBLISHED. RELEASED FOR PUBLICATION, 19 .
 © COPYRIGHT 19 BY AMP INCORPORATED. ALL INTERNATIONAL RIGHTS RESERVED.

LOC		DIST		REVISIONS				DATE	APPD
G	86	P	F	ZONE	LTR	DESCRIPTION	19JUL94	OKS AJK	
					0	RELEASED PER PR 94-116			

METRIC
 DIMENSIONS LISTED IN mm [INCHES]



△ STAMP AMP 1/0 AL90CU APPROX AS SHOWN



BODY: COPPER PER ASTM B-152 TIN PLATE 0.00254[0.000100] MIN THK PER MIL-T-10727	184087-1
INSERT: COPPER PER ASTM B-152 TIN PLATE 0.00254[0.000100] MIN THK PER MIL-T-10727	
MATERIAL & FINISH	
PART NO	

AMP INCORPORATED
CUSTOMER SERVICE SYSTEMS

MAX RECOMMENDED OPERATING TEMPERATURE:
 170°C MAX

DO NOT SCALE PRINT. UNLESS SPECIFIED DIMENSIONS IN mm [INCHES]— TOLERANCES ON :
 2 PLC DEC ± -
 3 PLC DEC ± -
 ANGLES ± -
 MATERIAL SEE TABLE
 FINISH SEE TABLE

DR 19JUL94 DK SCHRUM	AMP AMP Incorporated Harrisburg, PA 17105-3608
CHK 20JUL94 AJ KAUFMAN	
APPD 20JUL94 RE ROSER	
APPD 20JUL94 JL MECKLEY	
PRODUCT SPEC -	
APPLICATION SPEC -	NAME
WEIGHT -	SIZE CAGE CODE DRAWING NO C 00779 C=184087
	SCALE 4:1 SHEET 1 OF 1

NAME
TERMINAL, RING TONGUE, COPALUM™, STRANDED/SOLID, WIRE SIZE: 1/0 AL-CU

FOR ADDITIONAL PRODUCT INFORMATION OR COPIES OF DRAWINGS AND TECHNICAL DOCUMENTS	PRODUCT INFORMATION CENTER 1-800-522-6752
FOR APPLICATION TOOLING INFORMATION	TOOLING ASSISTANCE CENTER 1-800-722-1111
FOR ORDER ENTRY	1-800-526-5142

VOLTAGE RATING:
 NOT APPLICABLE

WIRE CROSS SECTIONAL AREA RANGE:
 42.4-60.6mm² [83,700-119,500] CIR MILS
 SOLID OR STRANDED

THIS DRAWING IS A CONTROLLED DOCUMENT FOR AMP INCORPORATED. IT IS SUBJECT TO CHANGE AND THE CONTROLLING ENGINEERING ORGANIZATION SHOULD BE CONTACTED FOR THE LATEST REVISION.